



**HSS758 V2.0**

**WWW.HANGLTD.COM**

**High Voltage Digital Hybrid Stepper Servo Driver**



# Contents

<b>1. Brief Introduction.....</b>	<b>1</b>
1.1 Overview.....	1
1.2 Features.....	1
1.3 Applications.....	1
<b>Technical Index.....</b>	<b>2</b>
2.1 Electrical Index.....	2
2.2 Enviroment Index.....	2
2.3 Mechanical Specifications.....	2
<b>Ports Interface.....</b>	<b>3</b>
3.1 Power Interface Ports.....	3
3.2 Control Signal Interface Ports(44 Pins DB).....	3
3.2.1 Signal Output Interface Ports(Pend&ALM).....	3
3.2.2 Signal Input Interface Ports(PUL, DIR, ENA).....	4
3.3 Encoder Signal Input Interface Ports(15 Pins DB).....	5
3.4 RS232 Communication Interface Ports CN4.....	5
<b>Wiring.....</b>	<b>6</b>
4.1 Typical Wiring Diagram.....	6
<b>5. Parameters.....</b>	<b>6</b>
5.1 Parameter Configure.....	6
5.2 Parameter Description.....	7
<b>Alarm Funtion.....</b>	<b>9</b>
6.1 Alarm Configure.....	9
6.2 Processing Method to Alarms.....	9
<b>Display and Panel.....</b>	<b>10</b>
7.1 Main Menu Display.....	10
7.2 Sub Menu Display.....	11
7.2.1 Monitor Mode.....	11
7.2.2 Parameter Setting.....	11
7.2.3 Parameter Management.....	12
7.2.4 JOG Mode.....	13

# 1. Brief Introduction

## 1.1 Overview

The HSS758 is a hybrid high power stepper servo driver. It fits the 86(NEMA 34) two-phase stepper motor. Compared to the traditional open-loop stepper driver, this stepper servo driver can completely avoid the stepper motor lost step problem, the high speed torque decrease is extremely lower than the open-loop stepper driver, greatly enhance the performance and torque of high speed motor. The driver current can be automatic controlled based on the load, it effectively restrain the temperature rise of the motor, extend the motor working life. Build-in position and alarm signal output are convenient for host computer to monitor and control the motor running state. The function of over position error alarm ensure the equipment working safely. It is the ideal replacement and upgrade of traditional open loop driver, and it is also with part functions of AC servo system, price is only half of the AC system.

## 1.2 Features

- ★ 32-bit DSP and vector closed-loop control technology
- ★ Without losing step, high accuracy in position
- ★ Improve the motor output torque and working speed
- ★ Variable current control technology, restrain motor temperature rise
- ★ Adapt to variety of mechanical load conditions(including low-rigidity pulleys), no need to adjust the gain parameter
- ★ Smooth and reliable moving, low vibration, great improvement in accelerate and decelerate
- ★ The ability of zero speed static without vibration
- ★ Adapt to 2-phase 86(NEMA34) hybrid servo motor
- ★ Maximum step-pulse frequency 200KHZ
- ★ Micro step 400-65535 pulse/rev
- ★ Voltage range AC50V~80V
- ★ Over current, over voltage and over position protection
- ★ Six digital tube display, easy to set parameters and monitor the motor running state

## 1.3 Applications

It is suitable for the automation equipment and instrumentation which require large torque, such as: engraving machine, sewing machine, wire-stripping machine, marking machine, cutting machine, laser photo composing machine, plotting instrument, numerical control machine tool, automatic assembly equipment and so on. It is with good performance in the equipment with little noise and high speed.

# 2. Technical Index

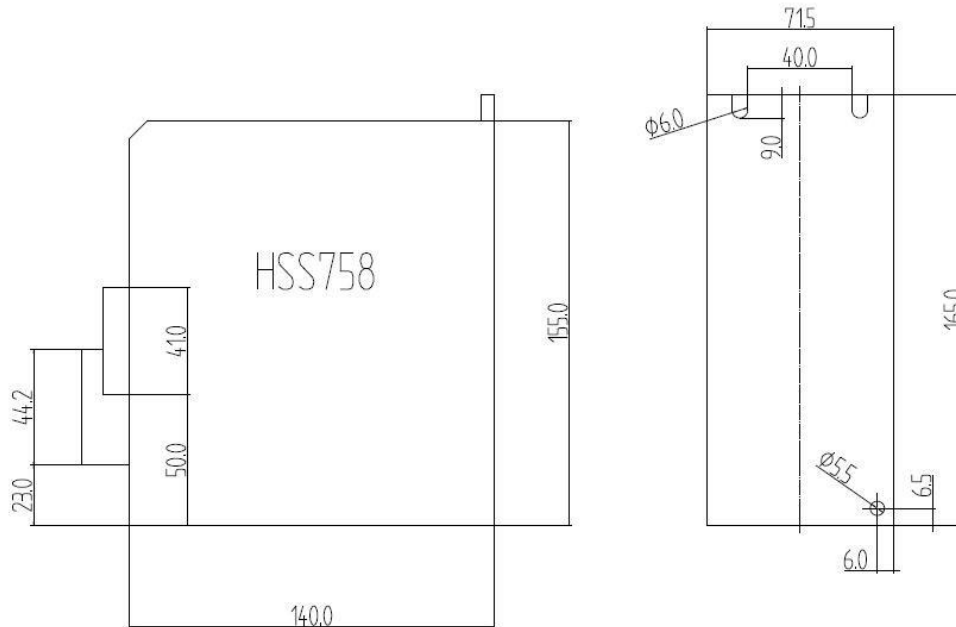
## 2.1 Electrical Index

Input Voltage	AC50V~80V (Typically use 75VAC)
Current output	Peak 8.0A(current variable based on load)
Logic Current Input	7~20mA
Frequency	0~200KHz
Suitable motor	2-phase NEMA34 hybrid servo motor
Encoder Resolution	1000
Insulation Resistance	$\geq 500M\Omega$

## 2.2 Environment Index

Cooling Method	Natural cooling or forced air cooling
Working Environment	Avoid dust, oil fog and corrosive gasses
Working Temperature	0~50°C
Humidity	40~90%RH
Vibration	5.9m/s <sup>2</sup> Max
Storage Environment	-20°C~65°C
Weight	Approximate 1200g

## 2.3 Mechanical Specification



### 3. Ports Interface

#### 3.1 Power Interface Ports

Port	Symbol	Definition	Remark
1	AC	Motor power input port	Typically use 75VAC
2	AC		
3	A+	Motor wiring(Motor wires can not be wrong connected)	Red
4	A-		Green
5	B+		Yellow
6	B-		Blue

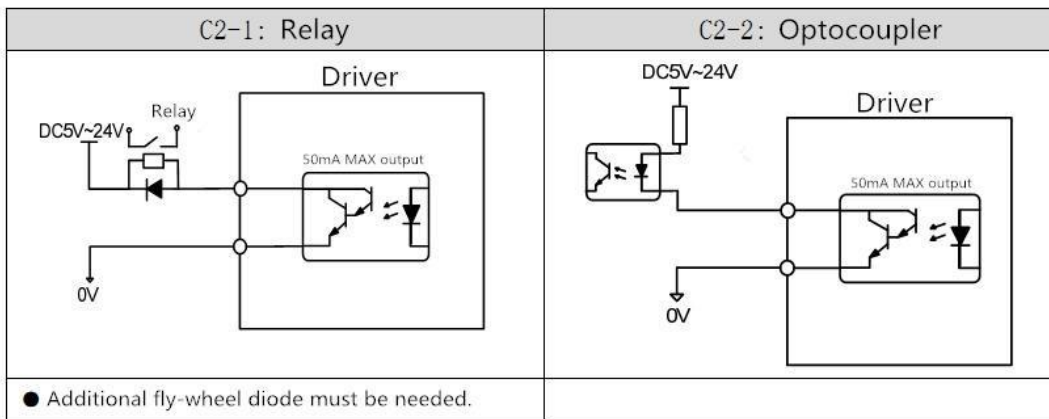
#### 3.2 Control Signal Interface Ports(44 Pins DB)

Port	Symbol	Definition	Remark
3	PUL+	Pulse Signal Input +	
4	PUL-	Pulse Signal Input -	
5	DIR+	Direction Signal Input +	
6	DIR-	Direction Signal Input -	
7	ALM+	Alarm Signal Output +	
8	ALM-	Alarm Signal Output -	
9	PEND+	Position Signal Output +	
10	PEND-	Position Signal Output -	
11	ENA+	Enable Signal Input +	
12	ENA-	Enable Signal Input -	
23	OA+	Encoder A Output	Encoder A,B,Z Signal differential drive(26LS31) output, non-isolated output. If the motor only with A,B two channel encoder, then ignore Z channel.
24	OA-		
25	OB+	Encoder B Output	
26	OB-		
27	OZ+	Encoder Z Output	
28	OZ-		
29	CZ	Encoder Z open collector output	
30	GND	Ground	

### 3.2.1 Signal Output Interface Ports(Pend&ALM)

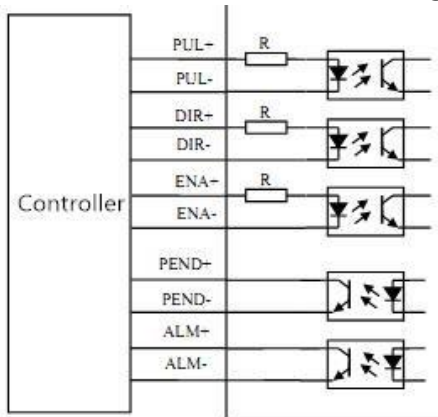
Pend and ALM signal output circuit use Darlington optocoupler, it can be connected with the relay or optocoupler. Note the following points:

- ★ Use a power supply to provide the power to the reply or optocoupler, the driver will be burned if the power supply is misconnected.
- ★ Power supply Maximum 25VDC, Maximum current 50mA.
- ★ If using inductive load such as a relay, a diode must be parallel with the inductive load, and if the polarity of the diode is reversed, the driver will be damaged.
- ★ When turned on, there is about 1V or so pressure drop, it can not meet TTL low level requirements, so it can not be connected with TTL current.

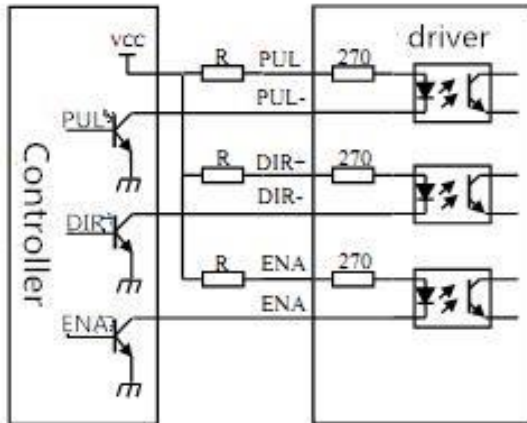


### 3.2.2 Signal Input Interface Ports(PUL, DIR, ENA)

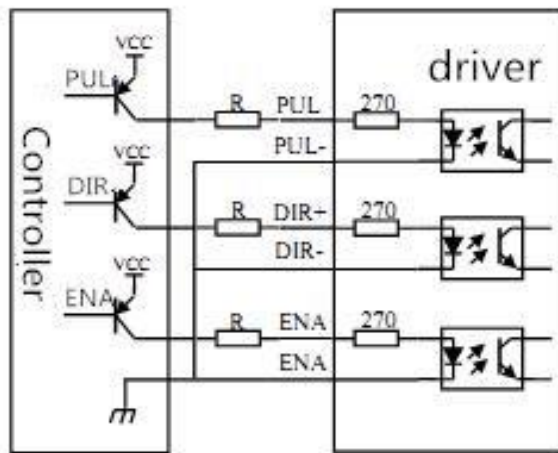
#### ★ Connections to Differential Signal



#### ★ Connections to Common Anode



★ Connections to Common Cathode



5V signal input. If 12V signal input, additional 1KΩ resistor need to be connected. If 24V signal input, Additional 2KΩ resistor need to be connected.

**3.3 Encoder Signal Input Interface Ports(15 Pins DB)**

Port	Symbol	Definition	Remark
1	EA+	Encoder A+ Input	If the motor only with A,B two channel encoder, then ignore Z channel.
11	EA-	Encoder A- Input	
2	EB+	Encoder B+ Input	
12	EB-	Encoder B- Input	
7	EZ+	Encoder Z+ Input	
8	EZ-	Encoder Z- Input	
13	VCC	+5V	
3	GND	Ground	

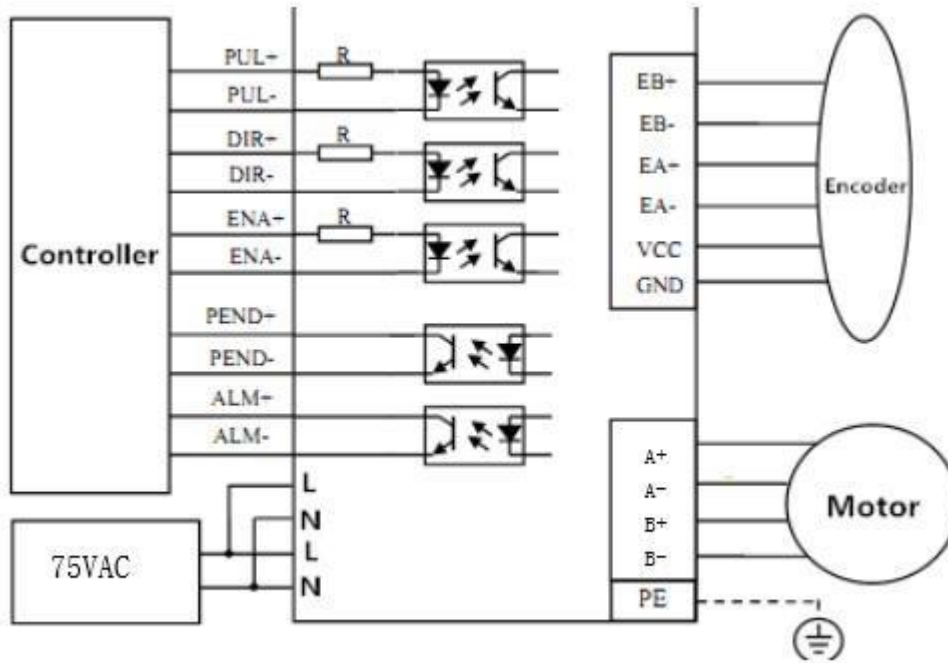
**3.4 RS232 Communication Interface Ports CN4**

Port	Symbol	Definition
1	NC	Not Connected

2	+5V	For External HISU
3	TxD	RS232 Transmission Port
4	GND	Ground
5	RxD	RS232 Receiving Port
6	NC	Not Connected

## 4. Wiring

### 4.1 Typical Wiring Diagram



## 5. Parameters

### 5.1 Parameter Configure

Code	Definition	Range	Default Value	Remark
PA0	Power On Display	0~7	0	
PA1	Control Mode Selection	0~1	1	0-Open loop, 1=Closed loop
PA2	Current Loop Kp	0~65535	1000	Prohibited to Modify
PA3	Current Loop Ki	0~65535	200	Prohibited to Modify
PA4	Position Loop Kp	0~1000	300	
PA5	Speed Loop Kp	0~1000	400	
PA6	Speed Loop Ki	0~300	80	



PA7	Micro Steps Setting	200~65535	4000	
PA8	Encoder Resolution	200~20000	4000	1000 lines (4 times)
PA9	Position Error Limit	40~65535	1000	
PA10	Holding Current Percentage	0~80	45	Unit: 100MA
PA11	Closed Loop Current Percentage	1~80	80	Unit: 100MA
PA12	Motor Type Selection			No need to select
PA13	Filtering Time	0~600	60	Unit: 50 $\mu$ s
PA14	Enable Level	0/1	1	
PA15	Alarm Level	0/1	0	
PA16	Pulse Mode Selection	0/1	0	0-PUL/DIR 1-CW/CCW
PA17	Pulse Edge	0/1	0	
PA18	Motor Rotation Direction	0/1	0	
PA19	JOG Speed	1~600	120	Unit: rpm
PA20	PEND Mode Section	0/1	0	
PA21	PEND Level	0/1	0	
PA22	Acceleration	1~2000	200	Unit: r/s <sup>2</sup>
PA23	deceleration	1~2000	200	Unit: r/s <sup>2</sup>

## 5.2 Parameter Description

Code	Definition	Description	Range
PA0	Power On Display	When the driver is powered on, the display shows: ★ 0: Position tracking error ★ 1: Motor speed ★ 2: Given speed ★ 3: Feedback Pulse ★ 4: Given Pulse ★ 5: Given Current ★ 6: Error code ★ 7: Busbar voltage	0~7

PA1	Control Mode Selection	<p>★ 0: Open loop Mode: Receiving the signals only from the signal input ports, the motor is open loop controlled by the driver. Motor current is depending on the holding current(PA10)</p> <p>★ 1: Closed loop mode: Receiving the Signals both from the signal input ports and the encoder, the motor position is closed loop controlled by the driver. Motor current is automatic changed based on the load</p>	0~1
PA2	Current Loop Kp	Prohibited to Modify	
PA3	Current Loop Ki	Prohibited to Modify	
PA4	Position Loop Kp	★ The higher value setting, the higher gain and the greater stiffness, and the smaller position lag under the same frequency command pulse condition. But too large value, may cause	0~1000

		oscillation unstable system. The value setting depends on the load.	
PA5	Speed Loop Kp		0-1000
PA6	Speed Loop Ki		0-300
PA7	Micro Steps Setting		200-65535
PA8	Encoder Resolution	★ encoder line is 1000 lines, the PA8 default value is 4 times of the encoder lines	200-20000
PA9	Position Error Limit	★ At closed loop and JOG mode, if the position error exceed the setting value, the driver will go into position error alarm.	40~65535
PA10	Holding Current	★ Holding current=setting value*100MA	0~80
PA11	Closed Loop Current	★ Closed loop current=setting value*100MA	1~80
PA12	Motor Type Selection		No need to select

PA13	Filtering Time	Filtering Time=setting value*50 μ s	0-600
PA14	Enable Level	<p>★ 0: When ENA input optocoupler transistor is OFF (cut off), motor is enable; When ENA input optocoupler transistor is ON (conductive), motor is free.</p> <p>★ 1: When ENA input optocoupler transistor is ON (conductive), motor is enable; When ENA input optocoupler transistor OFF (cut off), motor is free.</p>	0~1
PA15	Alarm Level	<p>★ 0: When alarm, output optocoupler transistor is ON (conductive); When normal working, output optocoupler transistor is OFF (cut off)</p> <p>★ 1: When alarm, output optocoupler transistor is OFF (cut off); When normal working, output optocoupler transistor is ON (conductive)</p>	0~1
PA16	Pulse Mode Selection	<p>★ 0: PUL/DIR mode</p> <p>★ 1: CCW/CW mode</p>	0~1
PA17	Pulse Edge	<p>★ 0: Normal</p> <p>★ 1: Input command pulse reverse polarity</p>	0~1
PA18	Motor Rotation Direction	<p>★ 0: motor clockwise rotation</p> <p>★ 1: Anticlockwise rotation</p>	0~1
PA19	JOG Speed		1~600
PA20	PEND Mode Section	<p>★ 0: PEND as position output signal. ★ 1: PNED as brake output signal.</p>	0~1
PA21	PEND Level	<p>★ 0: When positioning or braking OK, output optocoupler transistor is ON (conductive); otherwise output optocoupler transistor is OFF (cut off)</p> <p>★ 1: When positioning or braking OK, output optocoupler transistor is OFF (cut off); otherwise output optocoupler transistor is ON (conductive)</p>	0~1
PA22	Acceleration	Unit: r/s <sup>2</sup>	1-2000

PA23	Deceleration	Unit: r/s <sup>2</sup>	1-2000
------	--------------	------------------------	--------

## 6. Alarm Function

### 6.1 Alarm Configure

ALM Code	Alarm Definition	Description
--	Working OK	
1	Over current	Motor current is too high
2	Over voltage	Main circuit power voltage is too high
3	Position deviation error	The position deviation exceeds the set value.
4	EEPROM fault	EEPROM fault

### 6.2 Processing Method to Alarms

ALM Code	Alarm Definition	Reason	Processing method
1	Over current	Driver A+,A- or B+,B- short circuit.	Check the wiring.
		Grounding problem	Check ground.
		Motor insulation is damaged	Change a new motor.
		Driver is damaged	Change a new driver.
2	Over Voltage	When the power is turned on, the voltage is too high or too low.	Check the input power.
		The braking resistor wiring is sudden disconnected when the motor is running.	Rewiring.
		The braking resistor or braking transistor is damaged.	Change a new driver.
3	Position deviation error	When control power is turned on, circuit board is damaged.	Change a new driver.
		If motor A+,A-,B+,B- wrong wiring or encoder wrong wiring, the motor will be reverse running or not working,	Rewiring.
		Encoder is damaged	Change a new driver.

		The position deviation value range is too small.	Increase the position deviation value range.
		Position loop Kp is too low.	Increase the position loop Kp value.
		Insufficient torque.	Reduce the load or change a higher torque motor.
		Command pulse frequency is too high.	Reduce the frequency.
4	EEPROM fault	Chip or Circuit board is damaged.	Change a new driver.
		There is interference in the process of reading and writing EEPROM.	Restore the default parameters.

## 7. Display and Panel

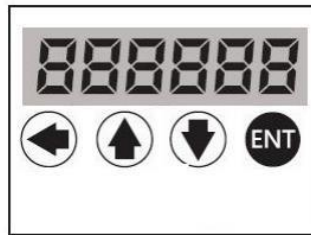
The panel is composed by 6 LED digital tube displays and 4 buttons including ←, ↑, ↓, ENT.

‘←’: Exit or Cancel

‘↑’: Increase or Next

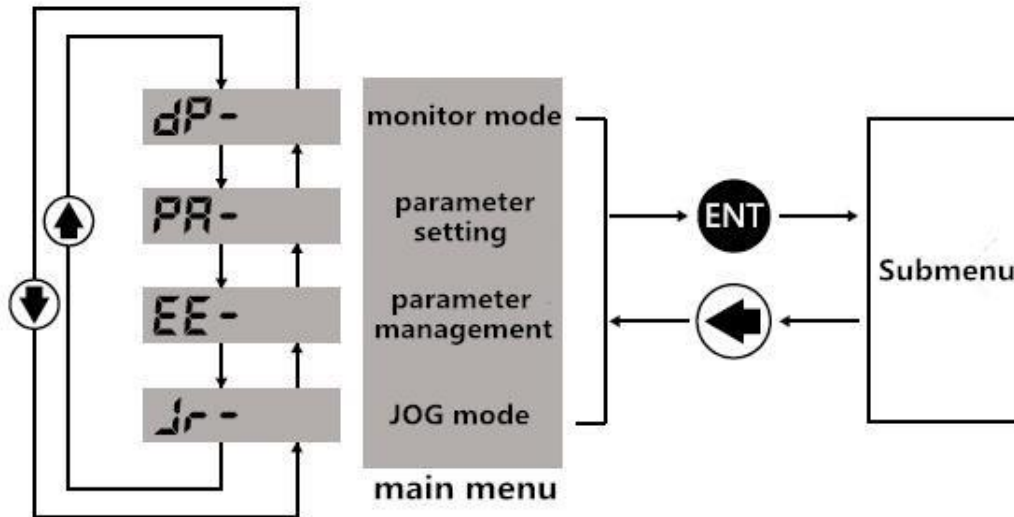
‘↓’: Decrease or Previous

‘ENT’: Enter or Confirm



### 7.1 Main Menu Display

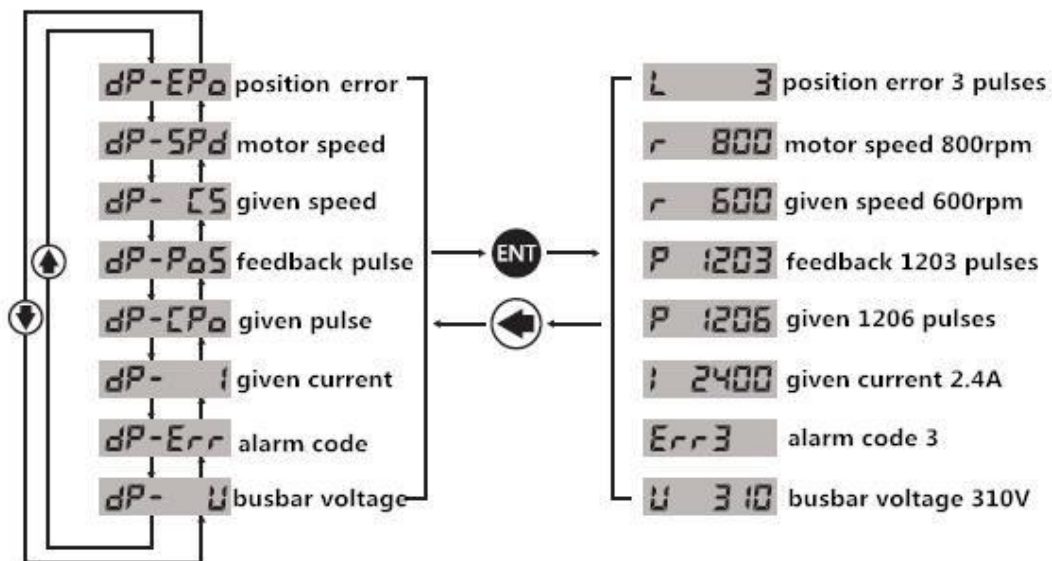
The operation mode is selected from the main menu. There are 4 operation mode: monitor mode, parameter setting, parameter management and JOG mode. Press the button ↑ and ↓ to change the mode, press the button ENT to enter the sub menu, press button ← to back to the main menu.



## 7.2 Sub Menu Display

### 7.2.1 Monitor Mode

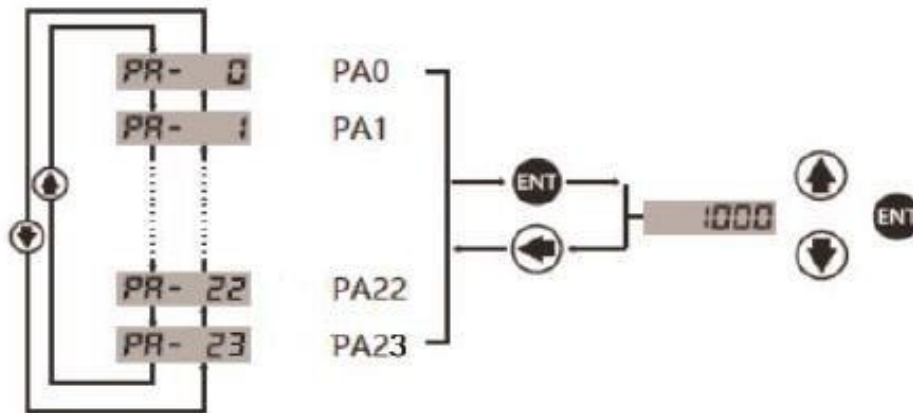
Choose 'dP-' from the main menu, press button ENT to the monitor mode. There are 8 display status, press button  $\uparrow$  and  $\downarrow$  to choose the status, press button ENT to show the exact value.



### 7.2.2 Parameter Setting

Choose 'PA-' from the main menu, press button ENT to the parameter setting mode. There are 23 parameter codes from PA01 to PA23, press button  $\uparrow$  and  $\downarrow$  to choose the parameter code, press button ENT to show the parameter value. Press button  $\uparrow$  and  $\downarrow$  can

modify the values. and press button ↑ and ↓ to increase or decrease the shining digit. Press button ENT can confirm the modification. If you do not satisfy the modified value, do not press button ENT instead to press button ← to back to the original value.



### 7.2.3 Parameter Management

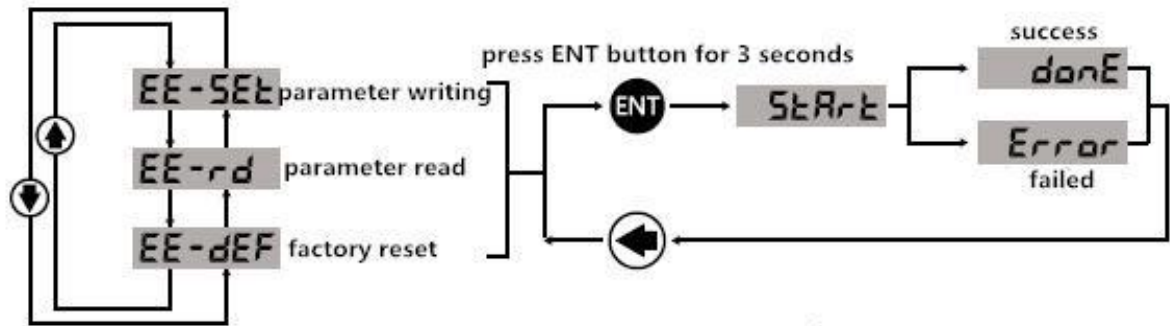
Parameter management mainly process the operation between parameter configure and EEPROM. Choose 'EE-' from the main menu, press button ENT to the parameter management mode. There are 3 modes: EE-Set, EE-rd and EE-dEF.

EE-Set: 'parameter write into', means write the parameters into EEPROM area. If users only modify the parameters, but do not write into the EEPROM area, the modified parameter will not be stored, it will restore the original value when power on next time. But if the parameter write into the EEPROM area, it will be the modified value when power on next time.

EE-rd: 'parameter read', means read the parameter in EEPROM area to RAM area. This process will be executed once on power. At the beginning, the parameter value of the RAM space is the same as in the EEPROM area. But when user changes the parameters, it will change the RAM space parameter values. if the user is not satisfied with the modified values or the parameter values is disturbed, the parameter read operation can read the parameter in EEPROM area again in to RAM space.

EE-dEF: 'factory reset', means restoring the default value to RAM space, and meanwhile write into EEPROM area. The operation can be used when the users disturb the parameters and can not work properly.

Take EE-Set as an example: Choose the mode EE-Set, press the button ENT and hold 3 seconds, the display show 'Start', that means the parameters are writing into the EEPROM, after 1-2 seconds, if EE-Set operation is successful, the display will show 'Done', if the operation is failed, the display will show 'Error'. Press button ← can be back to the main menu.



### 7.2.4 JOG Mode

JOG mode: set PA1=2, let the control mode to be JOG mode. Set the JOG speed by PA19, and setting JOG speed acceleration and deceleration by PA22 and PA23. Choose the JOG mode at the main menu. Press button ↑ and hold, the motor will run at the JOG speed, Release button ↑, the motor will stop and hold on 0 speed. Press button ↓ and hold on, motor will run in

rev **NG**

erse. Release button ↓, the motor will stop and hold on 0 speed.